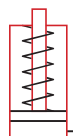




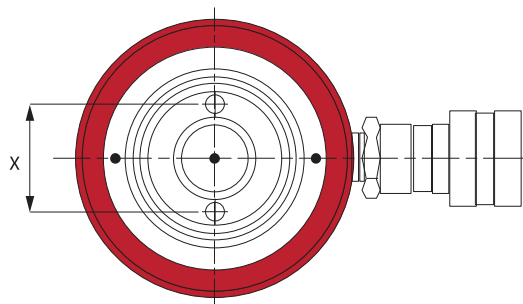
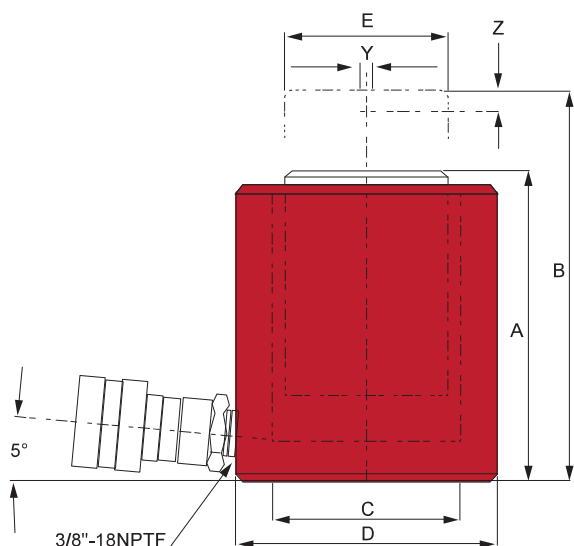
## Low Profile Cylinders

### HL Series - Low Clearance Lifting

- Compact design for use in confined spaces.
- Plunger wiper helps seal out dirt and contamination.
- Specially designed return spring provides quick retraction and extends the life of the spring.
- Hard chrome plated plunger helps prevent scratching and corrosion.
- Plunger end is grooved to reduce load slippage.
- Includes high flow coupler and dust cap.
- HL1001, HL2002, and HL3002 coupler is tilted 5° for added clearance.



### HL Series



Low profile cylinders are great for confined spaces.

Cylinder Capacity	Stroke (mm)	Model Number	Cylinder Effective Area (cm <sup>2</sup> )	Oil Capacity (cc)	Weight (kg)
10 Tonne 106 kN	38	HL1001	15.2	58	2.6
20 Tonne 197 kN	44	HL2002	28.2	125	5.0
30 Tonne 293 kN	62	HL3002	41.9	260	6.8
50 Tonne 445 kN	60	HL5002	63.7	382	9.9
100 Tonne 886 kN	57	HL10002	126.7	722	20.6



Model Number	Collapsed Height A (mm)	Extended Height B (mm)	Cylinder Bore Diameter C (mm)	Outside Diameter D (mm)	Plunger Diameter E (mm)	Plunger Mounting		
						Bolt Circle X (mm)	Thread Y	Thread Depth Z (mm)
HL1001	88	126	44	70	38	26	M4	8
HL2002	99	144	60	92	51	40	M4	8
HL3002	117	179	73	102	64	40	M5	8
HL5002	122	182	90	124	70	40	M5	8
HL10002	141	198	127	165	90	56	M8	3