



Hand Pumps

Aluminum and Steel



P Series

Combo Kits
Most hand pumps are available in easy to order kits; Pump, Gauge, Couplers, Hose and Cylinder pg 60

Related Product: Gauges
Reduce the risk of overloading your product by using a gauge. A variety of graduations and types to suit any need. pg 65

Safety Instructions
Visit our DO'S and DON'TS section to review the best methods of operation. Always be prepared. pg 102

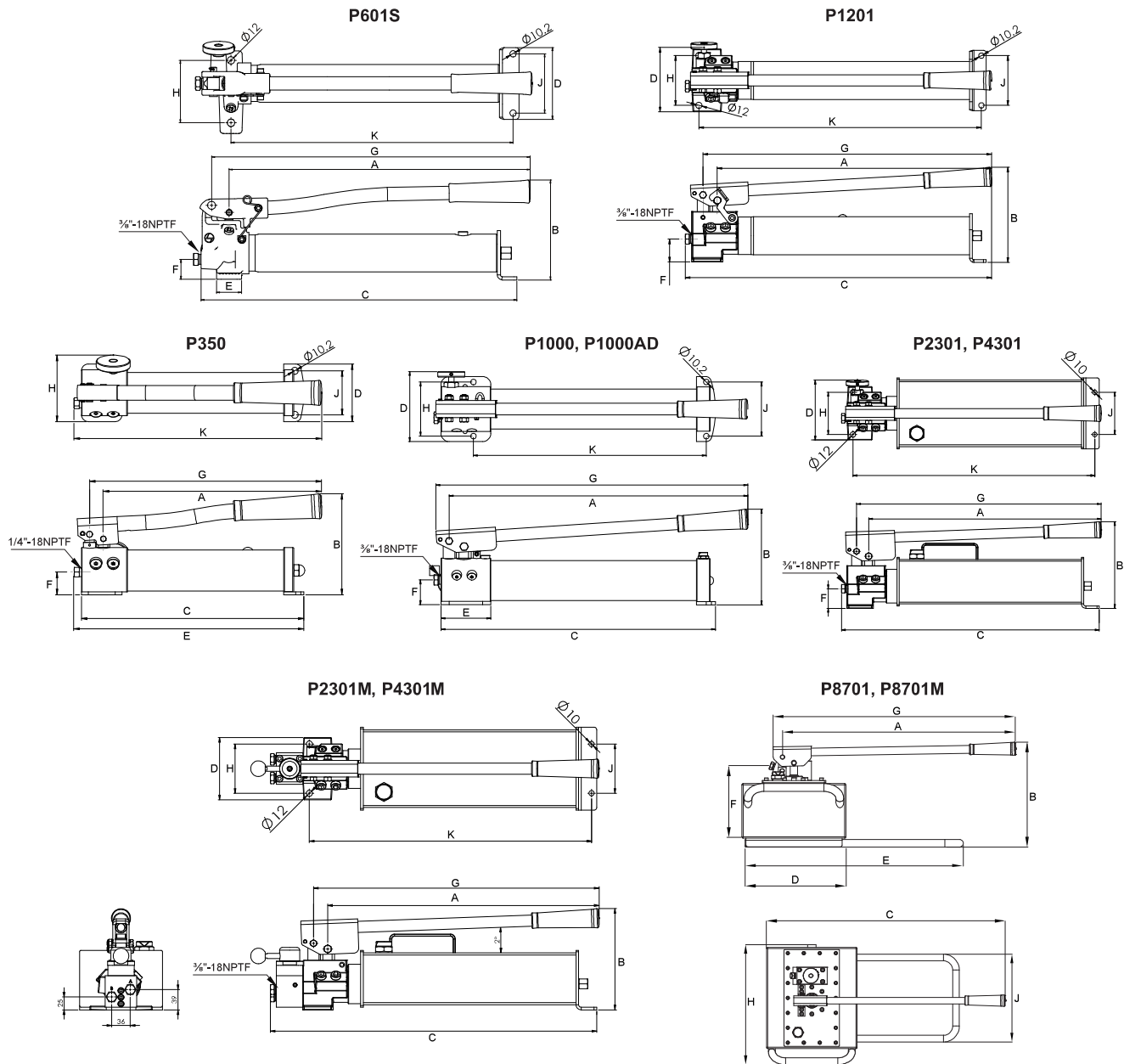
Product Information

- Metal reservoirs resist cracking.
- Internal pressure relief valve for overload protection.
- Perfect for use with cylinders and hydraulic tools or OEM applications.
- Two-Speed pumps reduce user fatigue and increase productivity.
- P1000AD can not only be used in the standard horizontal position, but can also be used with the outlet port facing upwards or downwards position providing more flexibility in operation.

CE

Model Number	Usable Oil Capacity (cc)	Oil Outlet Port	Pressure Rating/Oil Displacement per Stroke		Piston Stroke (mm)	Handle Operating Force (N)	Reservoir Construction
			1 st Stage (BAR/cc)	2 nd Stage (BAR/cc)			
Single Speed - Single Acting							
P601S	600	3/8"-18 NPTF	-	700/2.46	20	484.9	Steel
2-Speed - Single Acting							
P350	350	1/4"-18 NPTF	13.8/2.95	700/0.82	10	391.4	Aluminum
P1000	1000	3/8"-18 NPTF	13.8/13.27	700/2.29	21	440.4	Aluminum
P1000AD*	870-1000	3/8"-18 NPTF	13.8/13.27	700/2.29	21	440.4	Aluminum
P1201	1100	3/8"-18 NPTF	13.8/13.27	700/2.29	21	440.4	Steel
P2301	2200	3/8"-18 NPTF	13.8/13.27	700/2.29	21	440.4	Steel
P4301	4100	3/8"-18 NPTF	13.8/13.27	700/2.29	21	440.4	Steel
P8701	7800	3/8"-18 NPTF	20.01/126.34	700/4.75	43	636.1	Steel
2-Speed - Double Acting							
P2301M	2200	3/8"-18 NPTF	13.8/13.27	700/2.29	21	440.4	Steel
P4301M	4100	3/8"-18 NPTF	14/13.2	700/2.3	526	440.0	Steel
P8701M	7800	3/8"-18 NPTF	20.01/126.34	700/4.75	43	636.1	Steel

* Oil capacity varies by position. Pump can be mounted outlet up or down



Model Number	Dimensions (mm)										Weight w/Oil (kg)
	A	B	C	D	E	F	G	H	J	K	
Single Speed - Single Acting											
P601S	482	160	506	115	40	32	511	100	95	452	5.9
2-Speed - Single Acting											
P350	323	150	329	85	340	34	343	98	65	366	3.0
P1000	552	175	507	120	92	32	576	100	100	430	6.2
P1000AD*	552	177	507	129	92	46	576	100	100	430	6.2
P1201	525	182	586	123	-	44	552	95	95	540	9.3
P2301	525	173	609	135	-	44	553	95	90	573	12.6
P4301	524	195	581	135	-	44	551	95	95	545	17.1
P8701	655	295	771	293	614	210	684	387	284		34.5
2-Speed - Double Acting											
P2301M	525	173	659	120	-	-	553	95	90	573	14.7
P4301M	524	195	630	120	-	-	552	95	95	545	19.0
P8701M	655	295	771	293	614	229	684	387	284		35.1

* Oil capacity varies by position. Pump can be mounted outlet up or down and does not need to be horizontal