



Rotary Air Pumps

PAR Series - 10,000 PSI Rated



Related Product: Gauges

Reduce the risk of overloading your product by using a gauge. A variety of graduations and types to suit any need.

pg 65



Related Product: Hoses

We offer a variety of hoses, fittings, lengths and materials.

pg 67



Will be delivered without Hydraulic Oil



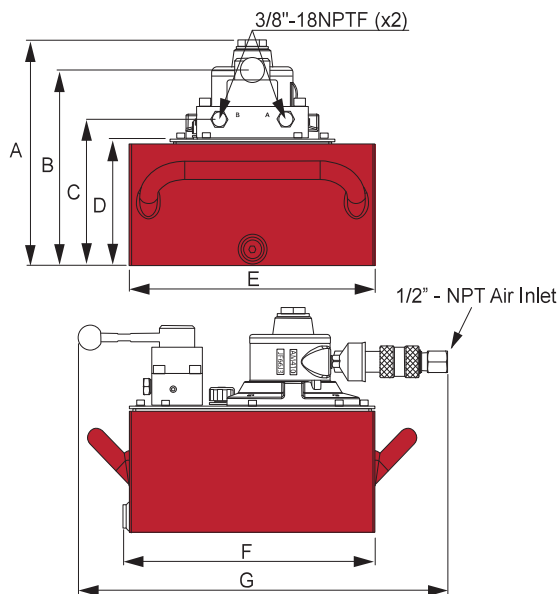
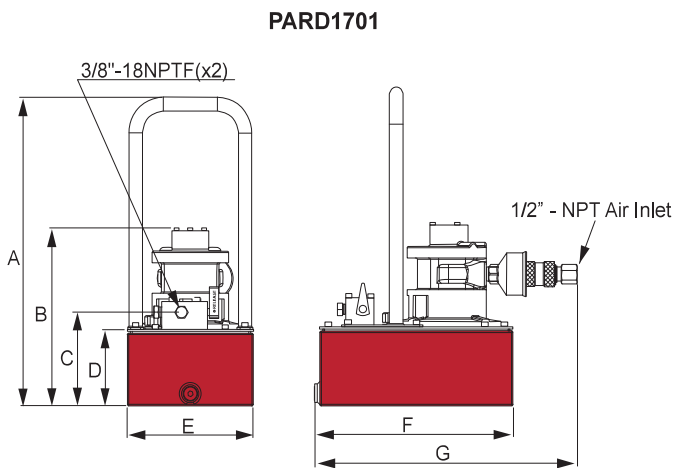
PARM4003

PARD1701

PARD1703

PAR Series

PAR1703 and PAR4003



Used with Cylinder	Motor Size (hp)	Usable Oil Capacity (cc)	Model Number	Pressure Rating (BAR)	Pressure Rating		Oil Output Flow Rate		Valve Type	Valve Function	Air Pressure Range (BAR)
					1 st Stage (BAR)	2 nd Stage (BAR)	1 st Stage (L/min)	2 nd Stage (L/min)			
Single Acting	1.7	3800	PARD1701	700	48.30	700	5.13	0.36	Dump	Advance/Return	4.14~5.52
	1.7	11400	PARD1703	700	48.30	700	5.13	0.36	Dump	Advance/Return	4.14~5.52
	1.7	11400	PAR1703	700	48.30	700	6.83	0.36	Manual PW3	Advance/Hold/Return	4.14~5.52
	4	11400	PARD4003	700	48.30	700	7.62	1.15	Dump	Advance/Return	4.14~0.69
	4	11400	PAR4003	700	48.30	700	8.39	1.15	Manual PW3	Advance/Hold/Return	4.14~0.69
Double Acting	1.7	11400	PARM1703	700	48.30	700	6.83	0.36	Manual PW4	Advance/Hold/Return	4.14~5.52
	4	11400	PARM4003	700	48.30	700	8.39	1.15	Manual PW4	Advance/Hold/Return	4.14~0.69

Model Number	Air Consumption (L/min)	Max Sound Level (dBA)	Dimensions (mm)							Weight (kg)
			A	B	C	D	E	F	G	
PARD1701	1245.94	93	485	239	147	120	205	313	404	19.1
PARD1703	1245.94	93	-	304	212	185	305	313	456	24.5
PAR1703	1245.94	93	303	267	209	185	305	313	459	24.9
PARD4003	2690.10	100	-	344	212	185	305	313	467	29.9
PAR4003	2690.10	100	344	267	209	185	305	313	470	30.4
PARM1703	1245.94	93	303	267	209	185	305	313	459	24.9
PARM4003	2690.10	100	-	344	209	185	305	313	470	26.9